

SafeLine SL6+ 4G VoLTE

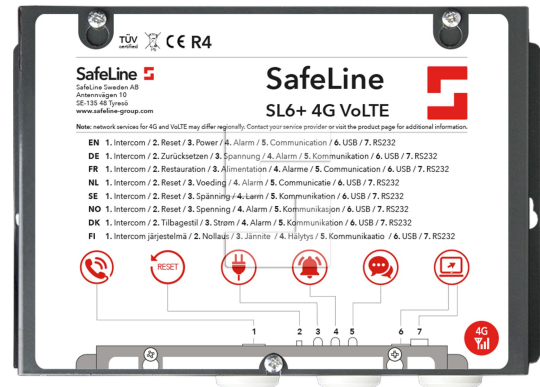
Our bestseller – combining the most sought-after features in one complete unit with full 4G VoLTE support.

This version of the SL6 is intended for mounting either in the machine room or shaft and comes with up to 4G VoLTE capability, giving you mobile services built for the future – making sure your system can handle the technical demands of the near future. Combine the SL6 main unit with any of our wide range of voice stations, up to six per unit with on only one mobile subscription, for a full system.

Using bus system technology with only four cables for communication between the system's units, cabling becomes very easy and efficient and in total accordance with EN81-28. But the system's safety requirements doesn't stop there, complying also with the European standard EN81-70 and even surpassing the necessary with full fire intercom support. This means the SL6 can also be used as a unit for fire communication, giving you two systems in one piece of equipment. In case of a fire emergency, the intercom stations then function as fire intercom and is activated by a separate key switch that may be installed in the entrance of the building.

Simplifying things even more: you don't need to bring a computer when configuring the SL6. Save time and energy during installation or maintenance with the built-in LYNX, letting the entire system be configured wirelessly with help of the SafeLine LYNX app in your regular smartphone, available free of charge in both the App Store and Google Play.

NOTE: network services may differ between countries and/or service providers. Please verify with your service provider beforehand that your subscription offers 4G VoLTE services. For more information about SafeLine's 4G VoLTE products, please contact your local SafeLine office.



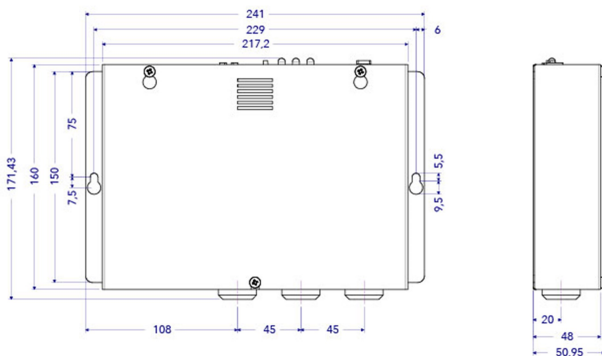
Technical information

For all types of buildings
Mobile services for 2G, 3G and 4G VoLTE
Connect up to six voice stations
Built in wireless configuration
Intercom/Fire intercom support
Fallback functionality
Wide range of voice and fire stations
Battery backup + automatic battery condition test
Fulfils EN81-28 and EN81-70

Included in package

3-meter SM Antenna SMS-M 3 db with magnetic foot
Telecommunication cable 5 meters, straight connection
Quick guide
Sticker "hold down the button 3, 5 or 10 seconds"
Certificate

Technical data



Power supply: 230VAC
Output voltage: 12VDC
Battery: 12 VDC, 1,2 Ah
Relay: Max 1 A/30 VDC
IP: IP20
: 10-30 VDC, 5 mA
Inputs: 10-30 VDC, 5 mA
Antenna connection: SMA
Effect: 230VAC, 6-10W
Size (HxWxD): 241 x 160 x 47 mm
Weight: 1700 g